

# FR-U10004

## Unmonitored Double Mini Magnet

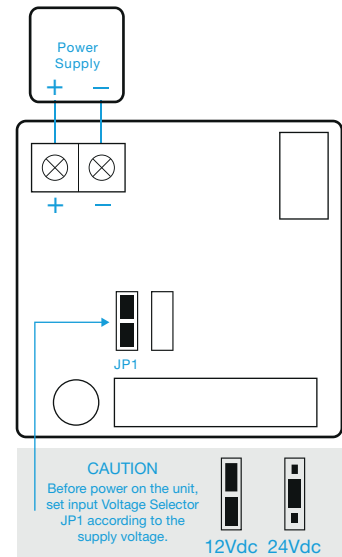
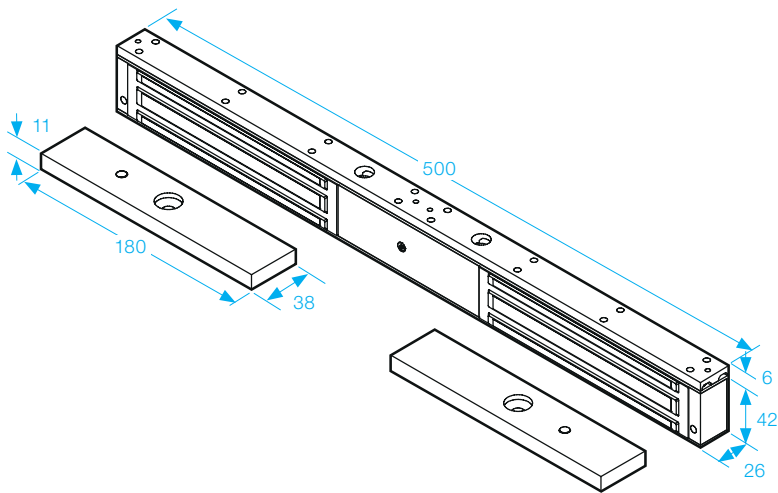


BS EN1634:1

- Operating voltage 12~24Vdc (*Selectable*)
- Aluminium housing
- Safety bolts fitted
- Holding force up to 2 x 600lbs (*272Kg*)
- Electro-less Nickel Plated Armature
- Fail-Safe



**OPTIONS**



**SPECIFICATION**

- Voltage tolerance:  $\pm 10\%$ .
- Current draw: 480mA at 12Vdc, 240mA at 24Vdc (*at temperature 20°C*).
- Operating temperature: -10~55°C (*14 to 131°F*).
- Lock's surface temperature: Current temperature  $\pm 20\%$  (*when power is on*).

- Humidity: 0~95% non-condensing.
- Aluminium housing, nickel plated armature.
- Weight: 3.7kg (*approx*).