



## GD650S-12 12 VDC

## GD650S-24 24 VDC

### Door Retaining Magnet

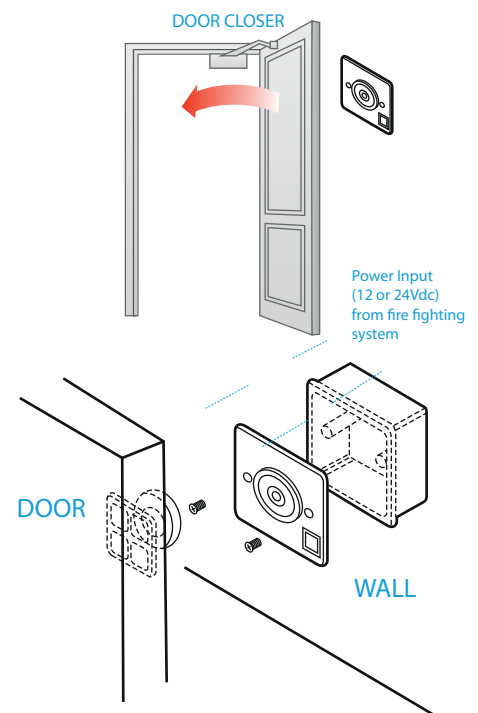
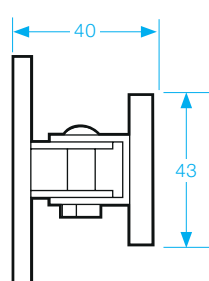
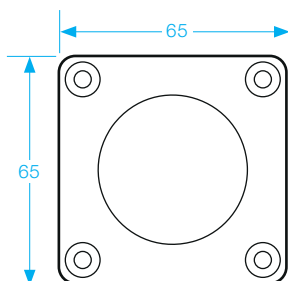
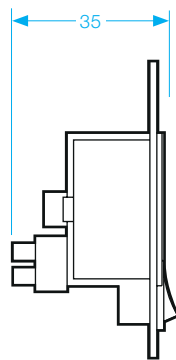
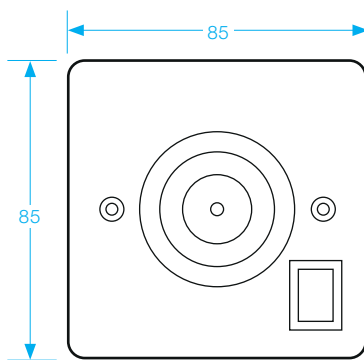
- Operating voltage 12Vdc
- Stainless Steel
- Fire tested: EN1155
- Up to 70lbs (32kg) holding force
- Over-ride switch
- Flush mount



STAINLESS  
STEEL



FIRE  
TESTED  
- EN1155 -



#### SPECIFICATION

- Voltage tolerance:  $\pm 15\%$ .
- Current draw: 150mA at 12Vdc, 70mA at 24Vdc (at temperature 20°C).
- Operating temperature: -10~45°C (14 to 131°F).
- Humidity: 0~95% non-condensing.
- Weight: 380g (approx).