
CONTACTLESS INFRARED SENSOR BUTTONS

NT SERIES TOUCH FREE BUTTONS



SP80NT



VR120 AUDIO NT SERIES



VR130 VIDEO NT SERIES



SP80NT/S



VR120 AUDIO NT SERIES
+ PROXIMITY



VR130 VIDEO NT SERIES
+ PROXIMITY

**Customised options
available.**



**TOUCH FREE
BUTTON**

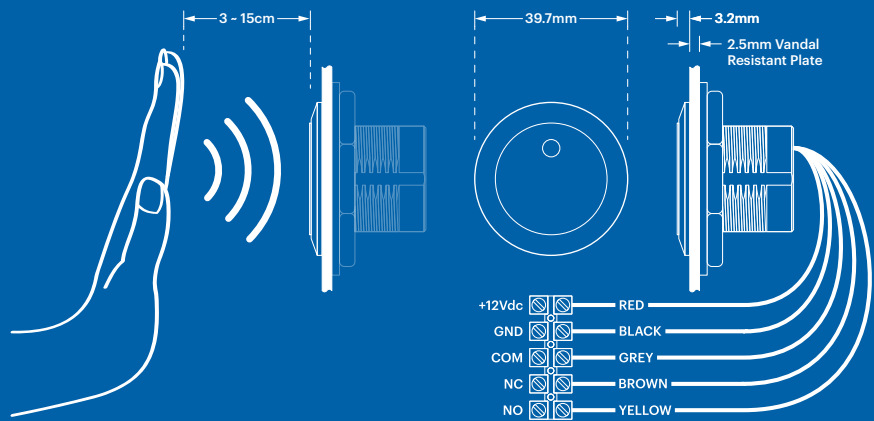
The NT range offers both exit buttons and entrance panels in a touch free format using infrared sensor technology.

The entry panels can offer visitors a means to make a call without the need to press a button. Simply approach the button with your hand and a call will be placed. The panels can also include proximity access control allowing authorised users to access the building touch free.

Both surface and flush exit buttons are also available to allow users to exit without the need to press buttons. Bespoke entrance panels and exit buttons are also available upon request.

 **VIDEX**[®]

www.videxuk.com



Key Features Include:

- Adjustable activation range from 3cm – 15cm.
- Adjustable activation time from 0.5 seconds to 20 seconds or latch.
- Activation status LED: red when power on and in standby, blue when activated.
- For internal use or if used externally must be protected from direct rain to avoid false triggering of the sensor.
- IP55 rated panels (IP65 rated button with resin potted internal electronics).

- For traditional, IP, 2 wire video and GSM systems. Both kits and customisable system options available.
- Bespoke VR panels and exit buttons also available.

Button Specification:

- Power input: 12Vdc.
- Current: 25mA (standby), 37mA (during operation).
- Relay: Dry contact output (CO, NO, NC) Max. 1A@30Vdc.
- Button material: Black polycarbonate fire & UV proof material.
- Operating temperature: -20°C ~ 75°C.

Touch free Vandal Resistant Audio, GSM, IP Video and 2 Wire Video kits available with both flush and surface mount options.



ESVRKNT-1/6788

Model	System	Description
SP80NT	All	Touch free infrared exit button, flush
SP80NT/S		Touch free infrared exit button, surface
GSMVRKNT-1	GSM	1 Button VR, touch free, flush GSM audio intercom kit
GSMVRKNT-1S		1 Button VR, touch free, surface GSM audio intercom kit
VR120DKNT-1	VR120 audio	1 Button VR, touch free, flush VR120 audio intercom kit
VR120DKNT-1S		1 Button VR, touch free, surface VR120 audio intercom kit
IPVRKNT-1	IP video	1 Button VR, touch free, flush IP videokit
IPVRKNT-1S		1 Button VR, touch free, surface IP videokit
ESVRKNT-1/6286	2300 videokit	1 Button VR, touch free, flush 2 wire videokit (3.5" videophone)
ESVRKNT-1S/6286		1 Button VR, touch free, surface 2 wire videokit (3.5" videophone)
ESVRKNT-1/6788		1 Button VR, touch free, flush 2 wire videokit (7" monitor)
ESVRKNT-1S/6788		1 Button VR, touch free, surface 2 wire videokit (7" monitor)
VRPH	All VR series	To add proximity reader cut out only to VR panel
VRPP		To add Wiegand EM proximity reader to VR panel
VRMI		To add MiAccess proximity access to VR panel
VRWS4		To add WS4 proximity reader to VR panel
VR/DINMTPX-MF-E		To add Wiegand Mifare proximity reader to VR panel
4840NT	4000	4000 Series module with touch free button
VR4KNT	VR4K	VR4K Series module with touch free button

Panel only part numbers and bespoke sizes available upon request.

Southern Office

1 Osprey, Trinity Park,
Trinity Way, London,
E4 8TD
T 0370 300 1240 • F 020 8523 5825

Northern Office

Unit 4-7 Chillingham Ind. Estate,
Chapman Street,
Newcastle Upon Tyne, NE6 2XX
T 0370 300 1240 • F 0191 224 1559



sales@videxuk.com • www.videxuk.com

